

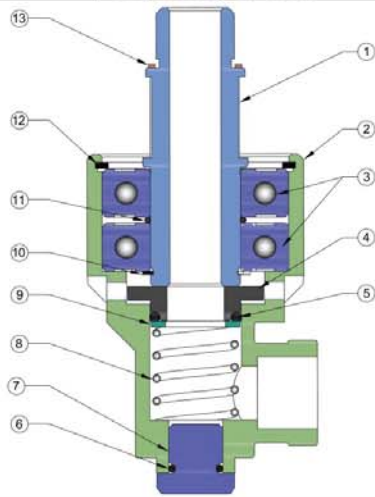
Roto Seal Coupling

Features

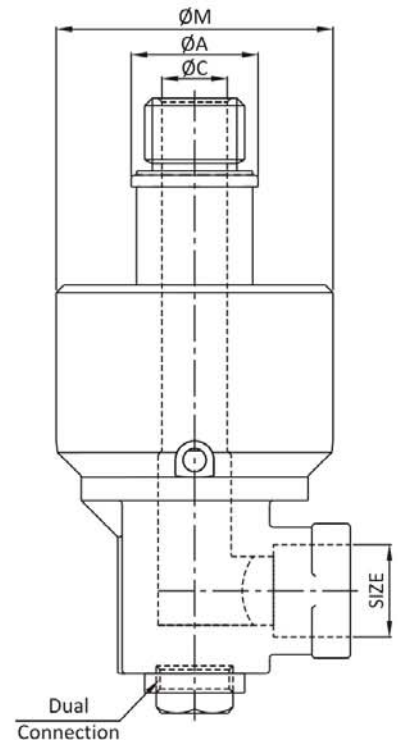
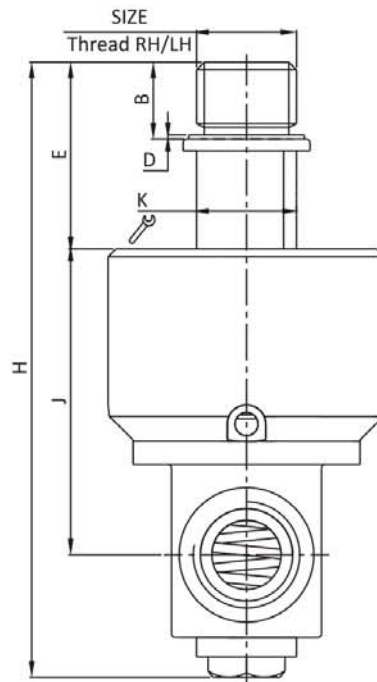
- ▶▶ General Purpose Application
- ▶▶ Stainless Steel MOC
- ▶▶ Standard Double Jet SKF Original Bearing
- ▶▶ Dual Flow Design

Technical Specification

Model	ALR
Size	1/4", 3/8", 1/2", 3/4", 1", 1.1/4", 1.1/2" & 2"
Pressure	Upto 8 Kg/cm ²
Temperature	Upto 50 °C
Leakage	Bubble Tight
RPM	1000 Max.
Media	Air / Water / Oil & Gas



No.	Part Name	Material
1	Shaft Rotor	CF8
2	Body	CF8
3	Bearing	Standard
4	Seals	CFT
5	'O' Ring	Viton
6	'O' Ring	NBR
7	Thread Plug	Steel Plated
8	Spring	Stainless Steel
9	Washer	S. S.
10	Circlip (External)	Standard
11	Spacer	Stainless Steel
12	Circlip (Internal)	Standard
13	Washer	Copper



Dimensions :

(All Dimensions are in mm)

MODEL	SIZE	ØA	B	C	D	E	H	J	K	ØM	Dual Connection	Weight (Kg.) Approx.
ALR - 06	1/4"	18	13	6	1.5	33	92	46	13	40	1/8"	0.347
ALR - 10	3/8"	24	13	10	1.5	32	109	53	19	49	1/4"	0.590
ALR - 15	1/2"	27	16	12	1.5	32	115	62	20	55	3/8"	0.710
ALR - 20	3/4"	32	20	18	1.5	49	155	79	29	72	1/2"	1.645
ALR - 25	1"	41	24	23	1.5	58	185	91	36	82	3/4"	2.252
ALR - 32	1.1/4"	49	25	30	1.5	59	200	98	44	90	1"	3.013
ALR - 40	1.1/2"	56	25	36	1.5	59	220	116	48	95	1.1/4"	3.725
ALR - 50	2"	69	30	48	1.5	82	310	162	60	120	1.1/4"	6.570