

# 3/2 Way Push Pull Valve (Spring Return / Detent)

## Features

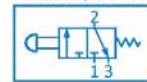
- ▶ Compact Design with Maximum Flow
- ▶ Aluminum Extruded Body with Anodized

## Technical Specification

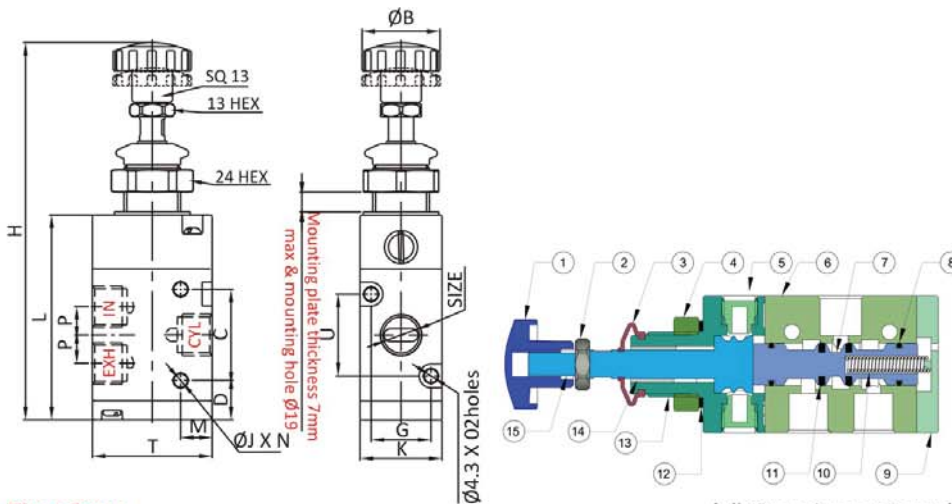
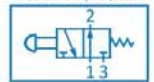
Model	2AD-PR-405	2AD-PR-407	2AD-PD-405	2AD-PD-407
Size	1/4"	1/2"	1/4"	1/2"
Type	Spring Return		Detent	
Design	Spool type			
Pressure	10 Kg/cm <sup>2</sup>			
Temperature	5 to 55 °C			
Flow rate in SCFM Lts. / Min @6 Kg	42	123	42	123
Recommended Oil For Lubrication	ISO VG32			
Leakage	Bubble Tight			
Media	Compressed Air ( Filtered & Lubricated )			
Weight (Kg)	0.250	0.700	0.250	0.700



Normally Closed



Normally Open

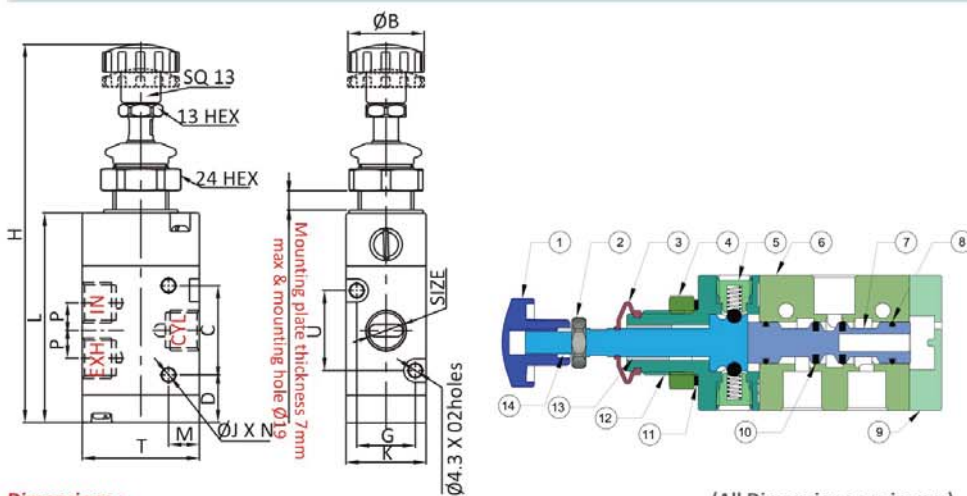


### Dimensions :

(All Dimensions are in mm)

MODEL	SIZE	L	H	K	G	U	T	M	C	D	P	ØJ	N	ØB
2AD-PR-405	1/4"	65	122	26	19	26	38	10	29	12.5	9	4.3	2	25
2AD-PR-407	1/2"	104	166	34	27	49	58	9	32	28	16	5.3	3	25

No.	Part Name	Material
1	Knob	Nylon
2	Nut	Standard Steel
3	Bellow	NBR
4	Check Nut	S. S.
5	Cushioning Set	Brass / S. S.
6	Body	Aluminum
7	Spool	Aluminum
8	'O' Ring	NBR
9	End Cover	Aluminum / Nylon
10	Spring	S. S.
11	Seals Ring	NBR
12	Flat Ring	NBR
13	Top Cover	Aluminum
14	Teflon Ring	PTFE
15	Piston Set	Standard Steel

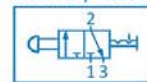


### Dimensions :

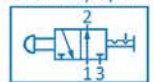
(All Dimensions are in mm)

MODEL	SIZE	L	H	K	G	U	T	M	C	D	P	ØJ	N	ØB
2AD-PD-405	1/4"	68	125	26	19	26	38	10	29	15.5	9	4.3	2	25
2AD-PD-407	1/2"	104	166	34	27	49	58	9	32	28	16	5.3	3	25

Normally Closed



Normally Open



No.	Part Name	Material
1	Knob	Nylon
2	Nut	Standard Steel
3	Bellow	NBR
4	Check Nut	S. S.
5	Cushioning Set	Brass / S. S.
6	Body	Aluminum
7	Spool	Aluminum
8	'O' Ring	NBR
9	End Cover	Aluminum / Nylon
10	Seals Ring	NBR
11	Flat Ring	NBR
12	Top Cover	Aluminum
13	Teflon Ring	PTFE
14	Piston Set	Standard Steel